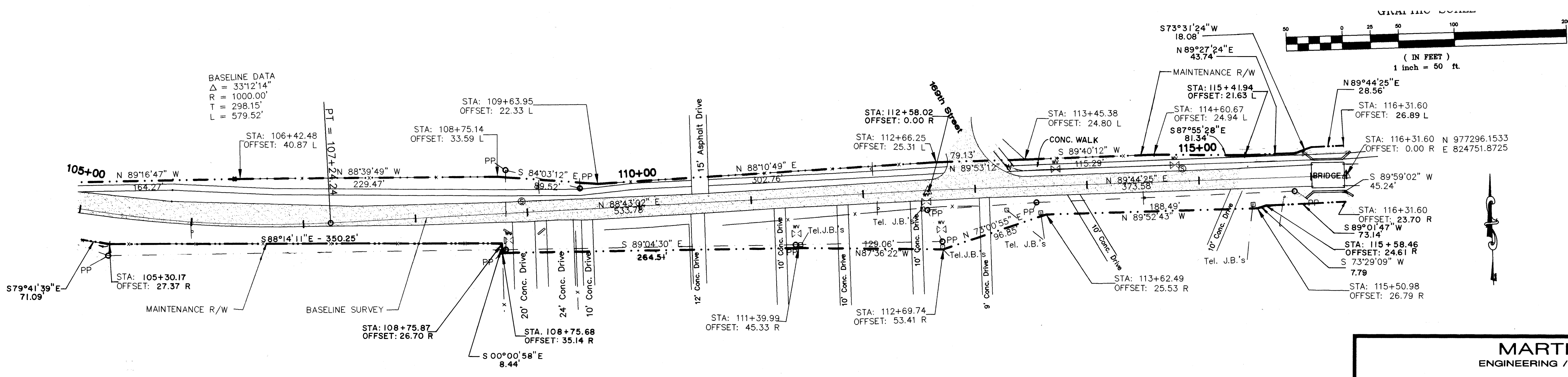
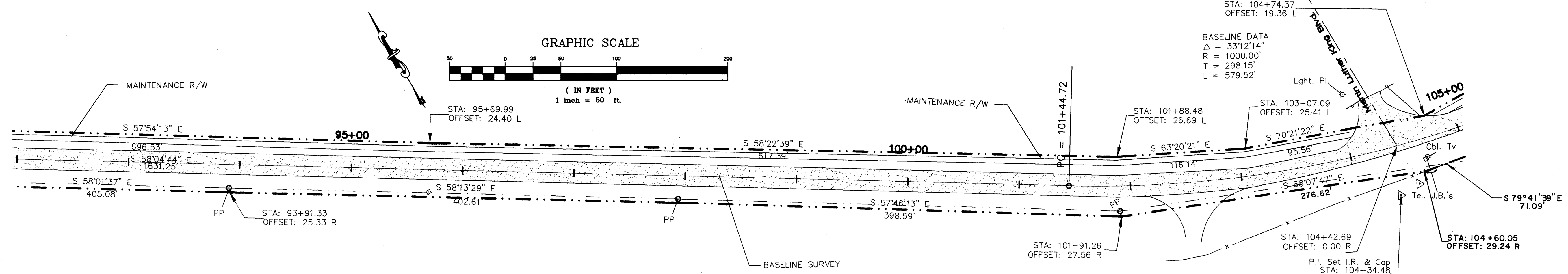
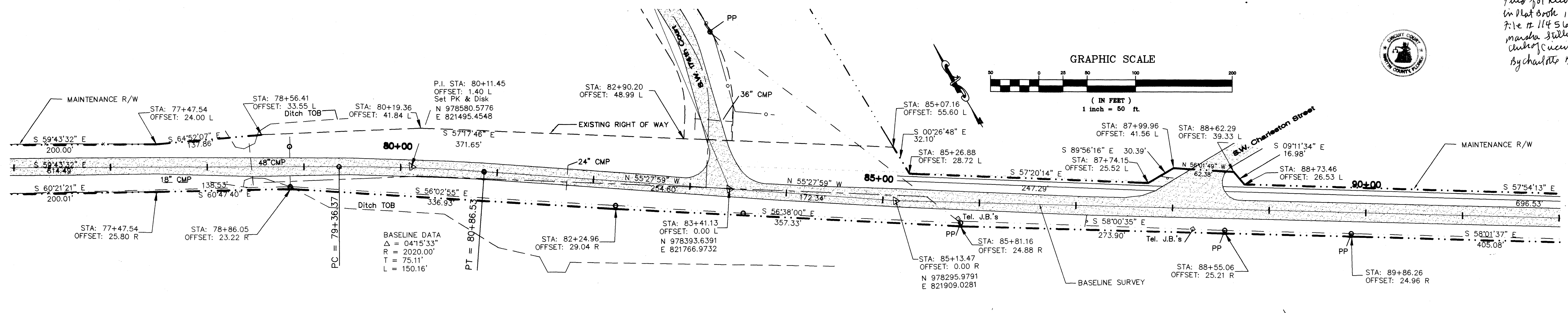
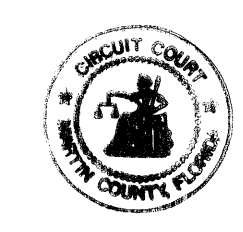


Filed for record on Nov 17, 1998
 in Plat Book 13, Page 97
 File # 1145620
 Marsha J. Miller
 Chief Surveyor
 By Charles W. Bussey, Jr.



MARTIN COUNTY ENGINEERING / RIGHT OF WAY DIVISION			
MAINTENANCE MAP			
WEST FARMS ROAD		MARTIN COUNTY, FLORIDA	
DRAWN BY: JAC/RWB	DATE: FEBRUARY 1994	APPROVED BY:	DATE:
CHECKED BY: RWB	DATE: FEBRUARY 1994		
SCALE: 1" = 50'		MARTIN COUNTY SURVEY AND RIGHT OF WAY DEPARTMENT	
MAPS PREPARED BY: RICHARD W. BUSSELL, INC. 1320 S. FEDERAL HIGHWAY SUITE 210 STUART, FLORIDA 34994	FIELD BOOK NOS: 93-003 93-004 93-005	SECTION: SEC. 35, TWP. 39 S., RGE. 38E SEC. 1-2, TWP. 40 S., RGE. 38E	SHEET 3 OF 3